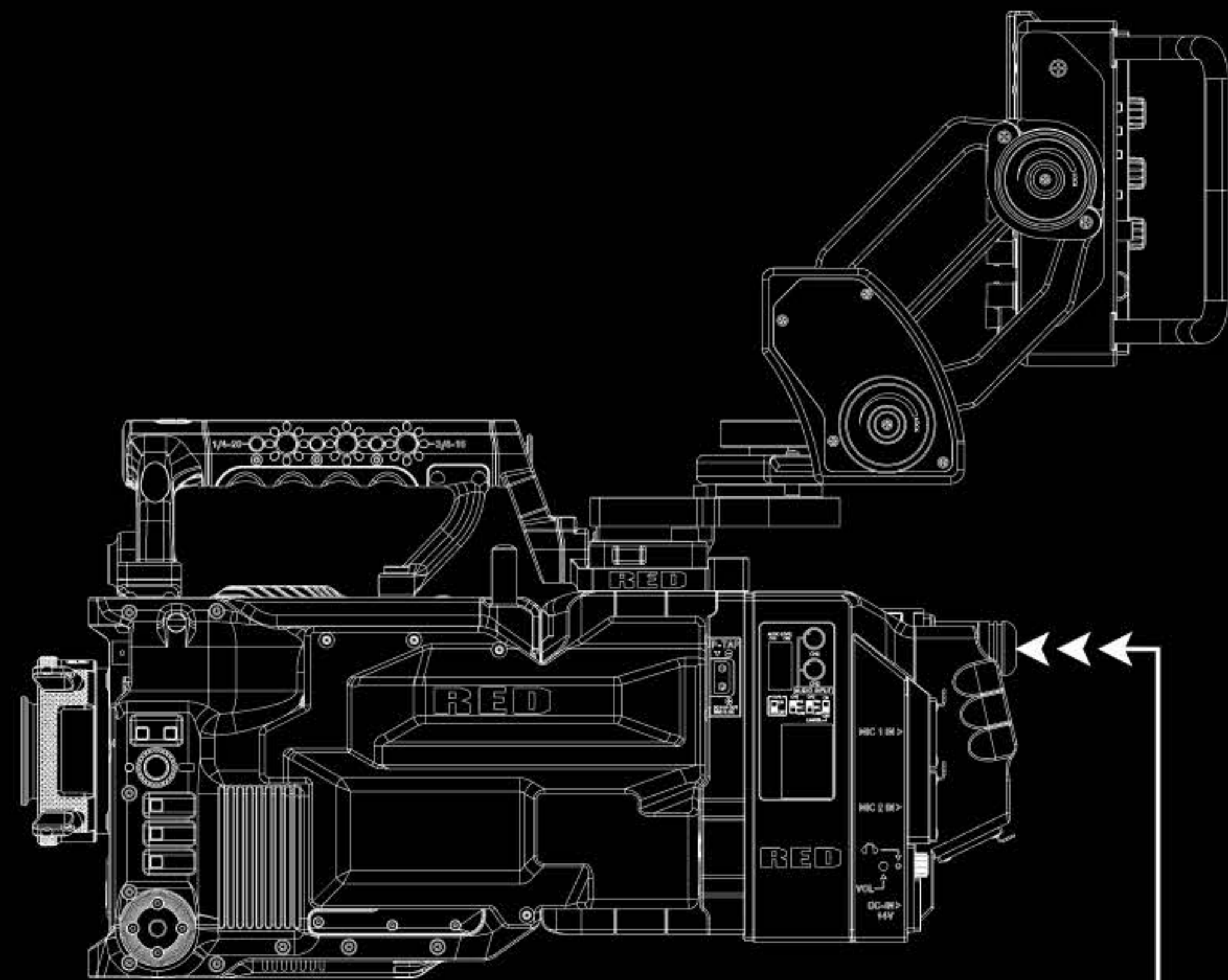


RED DIGITAL CINEMA

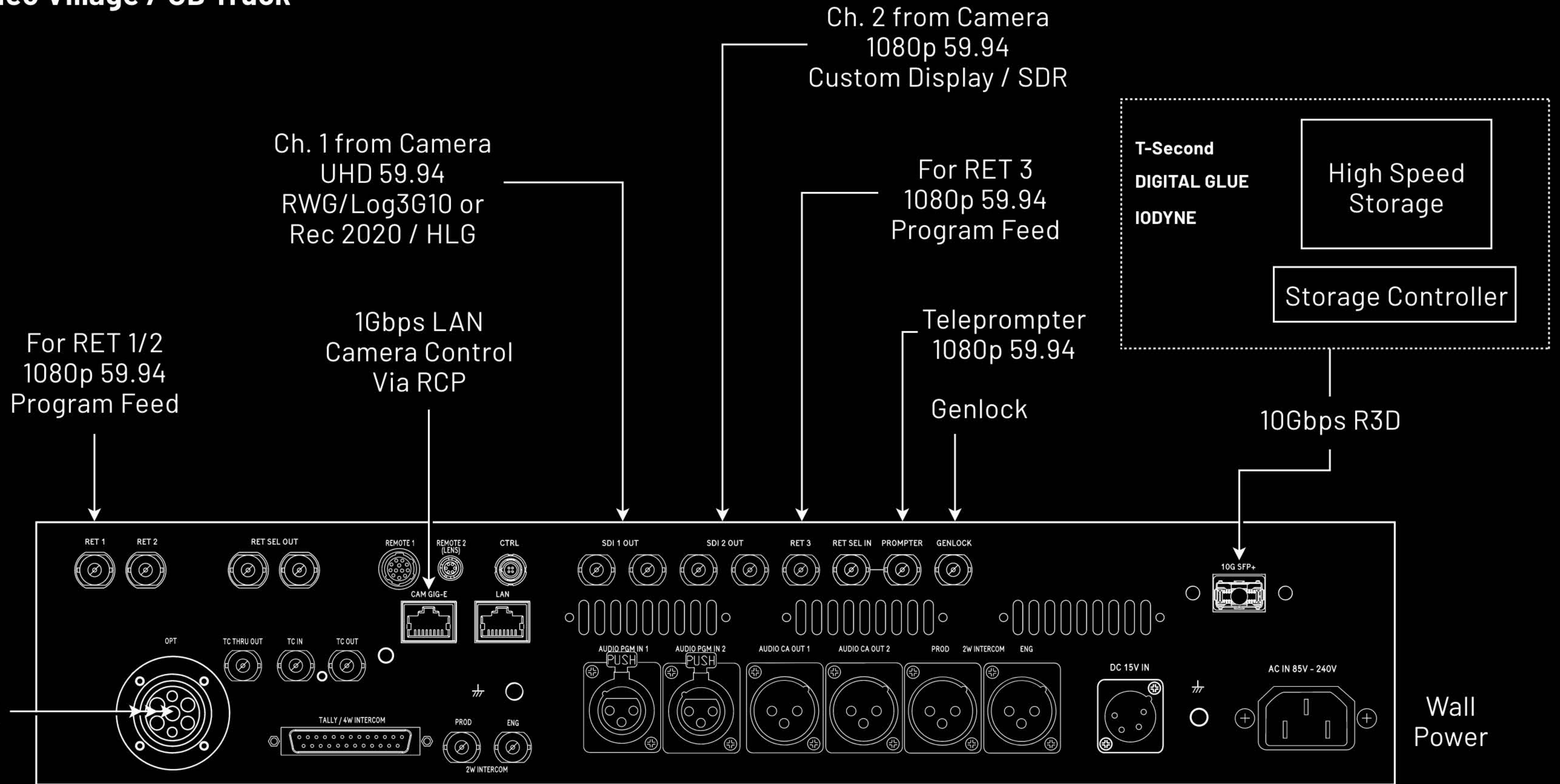
CINE-BROADCAST MULTI-CAM REMOTE RECORD

Stage

Video Village / OB Truck



SMPTE 311M



RED Cine-Broadcast Base Station

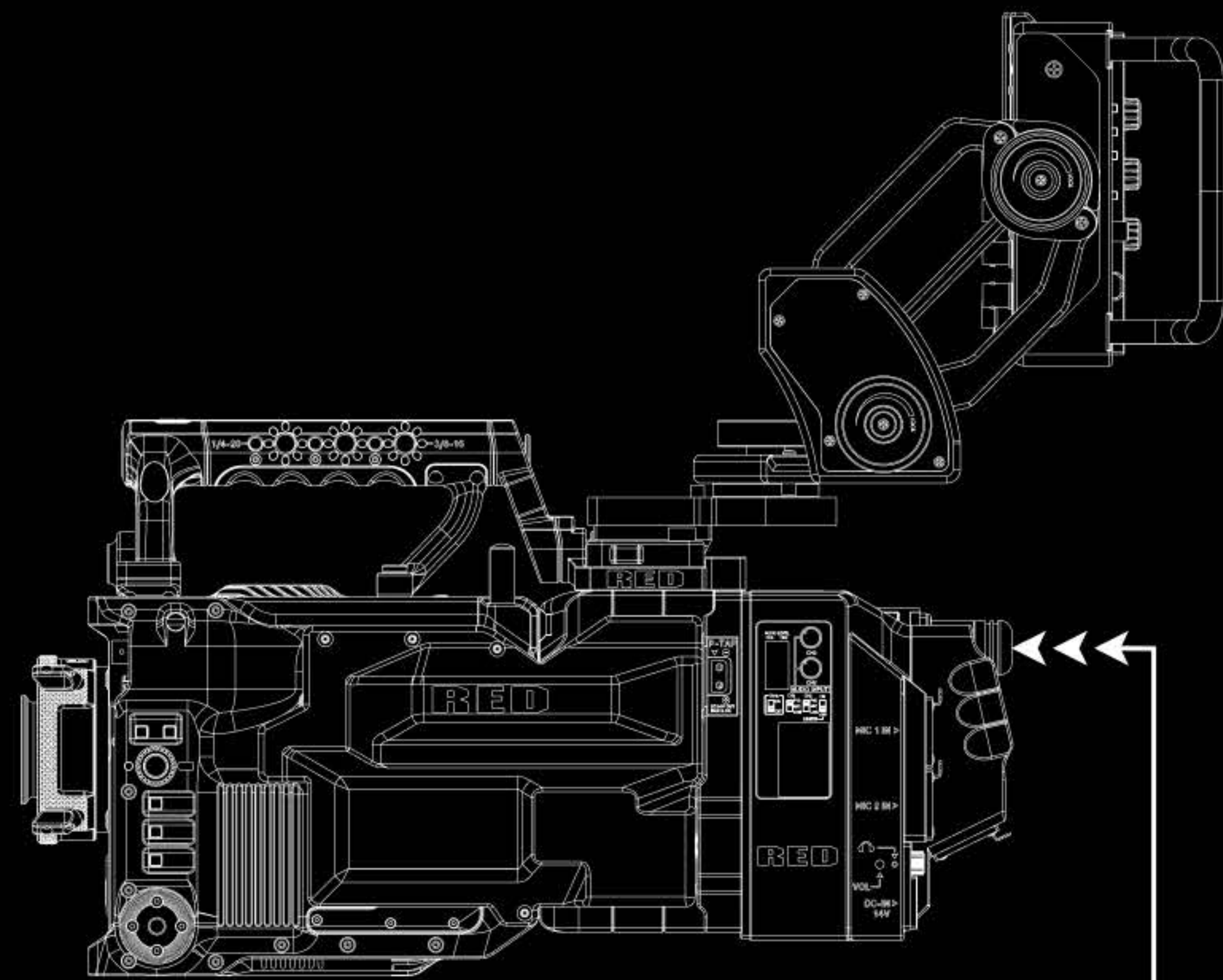
4-Wire
Intercom
Via 25-Pin D-sub

RED DIGITAL CINEMA

CINE-BROADCAST SIGNAL FLOW (BASEBAND)

Stage

Video Village / OB Truck



SMPTE 311M

Ch. 1 from Camera
UHD 59.94
RWG/Log3G10 or
Rec 2020 / HLG

Ch. 2 from Camera
1080p 59.94
Custom Display / SDR

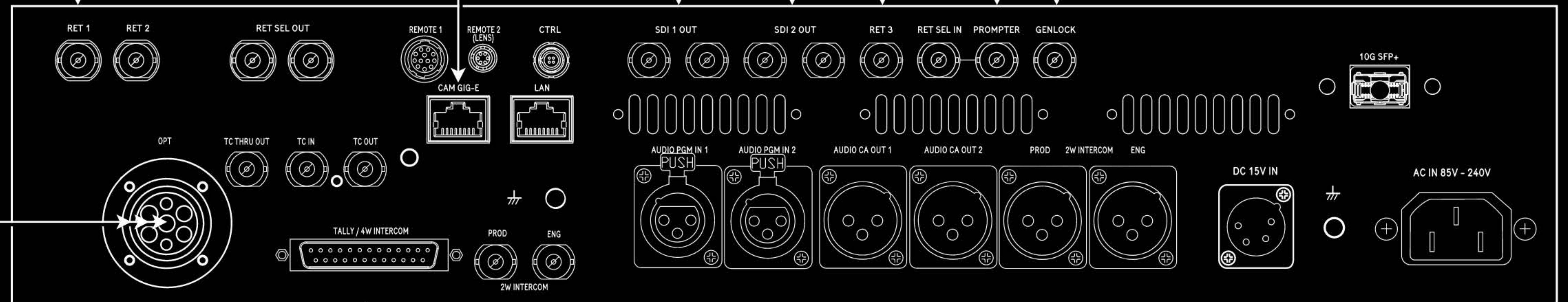
For RET 3
1080p 59.94
Program Feed

Teleprompter
1080p 59.94

1Gbps LAN
Camera Control
Via RCP

For RET 1/2
1080p 59.94
Program Feed

Genlock



RED Cine-Broadcast Base Station

4-Wire
Intercom
Via 25-Pin D-sub

Wall
Power

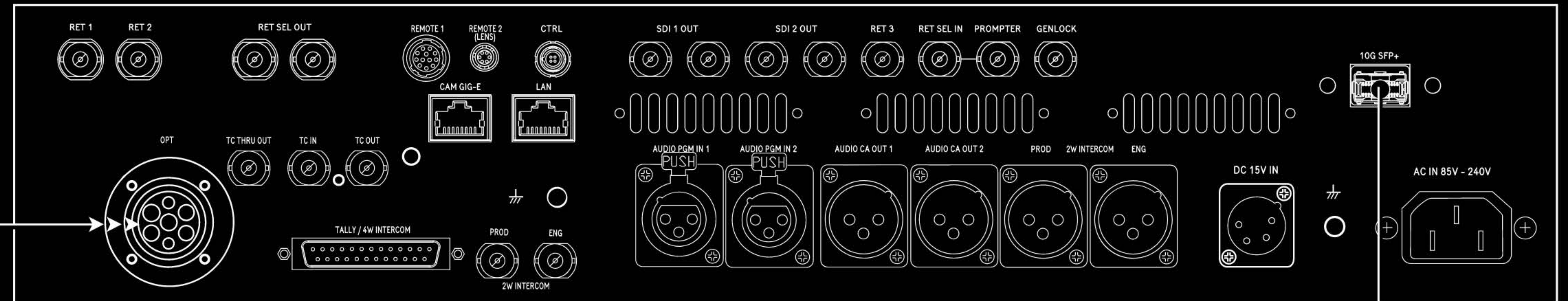
RED DIGITAL CINEMA

CINE-BROADCAST SIGNAL FLOW (SMPTE ST2110)

Stage

Video Village / OB Truck

RED Cine-Broadcast Base Station



Wall Power

SMPTE 311M

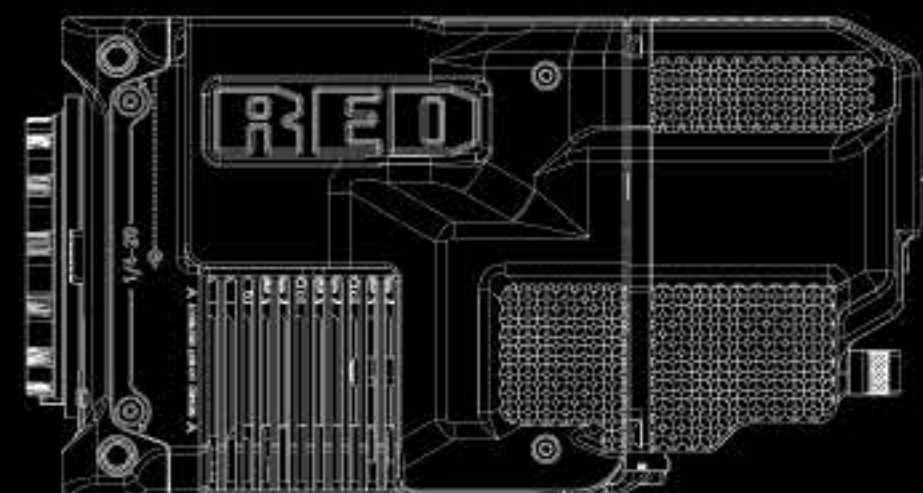
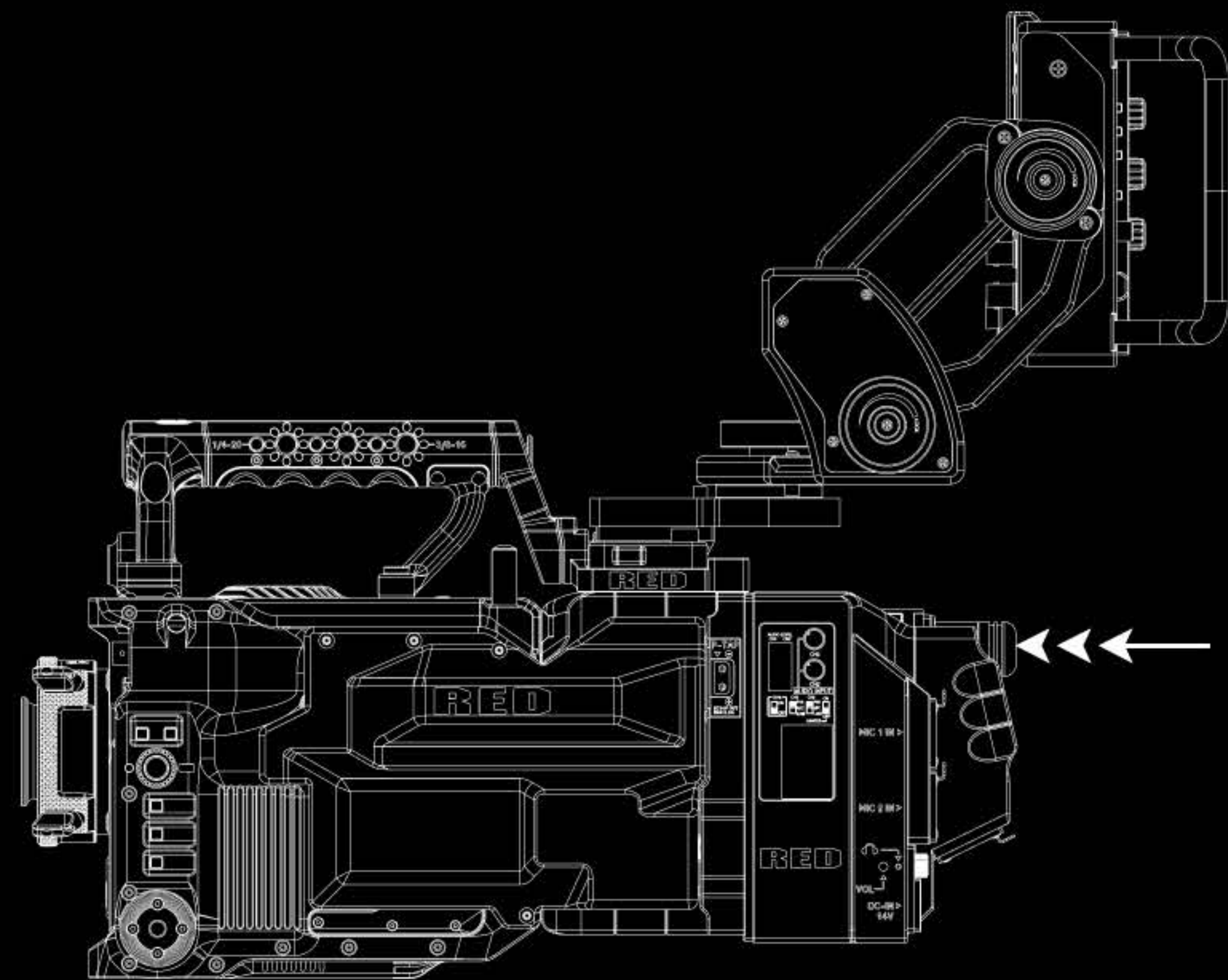
SINGLE MODE FIBER

Tx: From Camera
UHD 59.94
RWG/Log 3G10 or
Rec 2020 / HLG
JPEG-XS (SMPTE ST 2110-22)

Rx: 1080p 59.94
return Program feed
Uncompressed (SMPT ST 2110-20)

Tx: From Camera
UHD 59.94
RWG/Log 3G10 or
Rec 2020 / HLG
JPEG-XS (SMPTE ST 2110-22)

Rx: 1080p 59.94
return Program feed
Uncompressed (SMPT ST 2110-20)



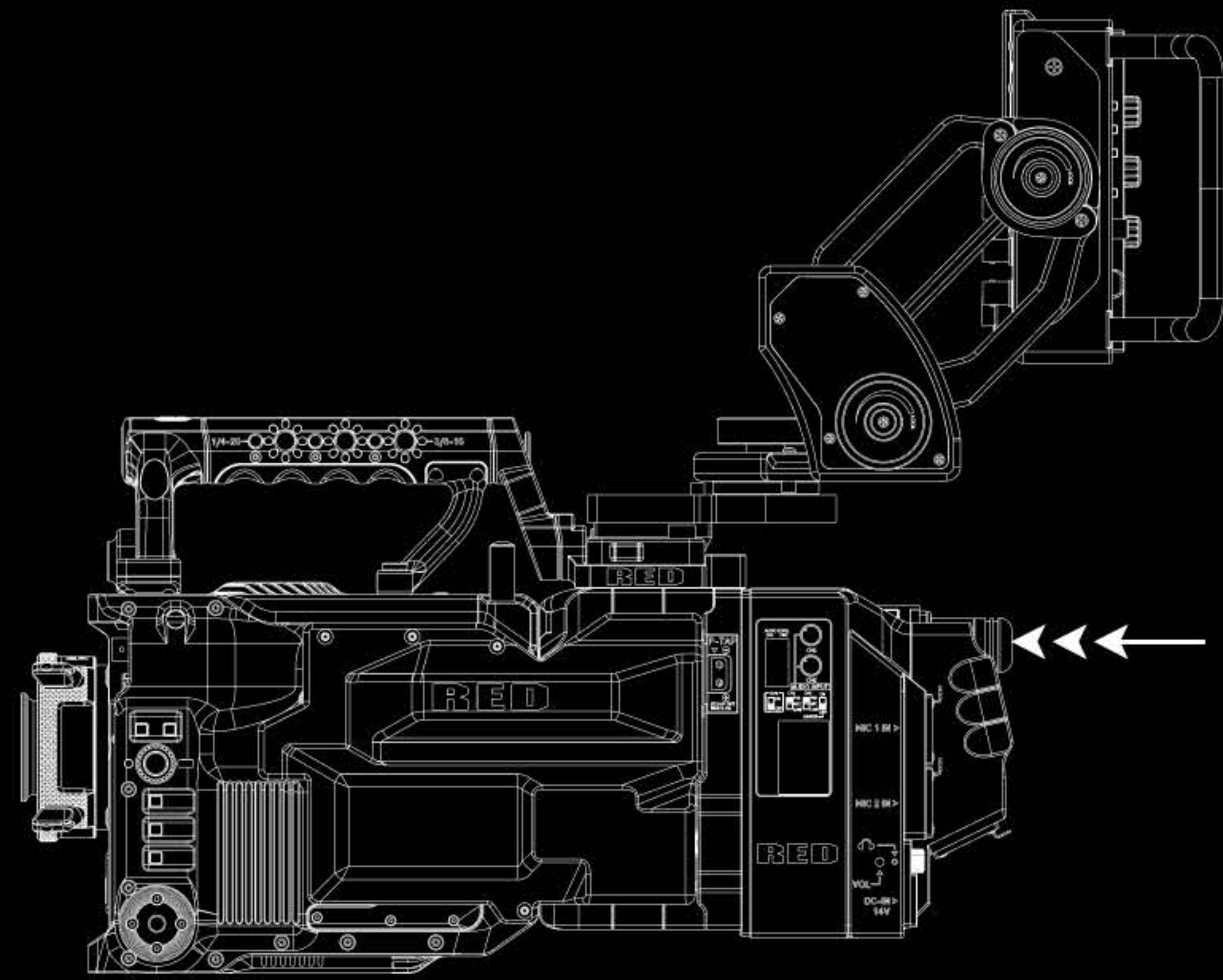
RED DIGITAL CINEMA

CINE-BROADCAST SIGNAL FLOW (SRT)

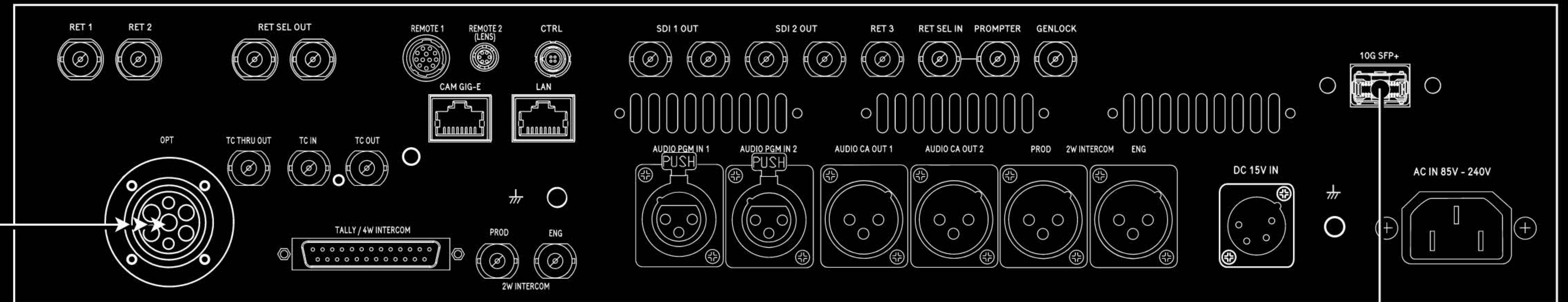
Stage

Video Village / OB Truck

RED Cine-Broadcast Base Station



SMPTE 311M



Wall Power

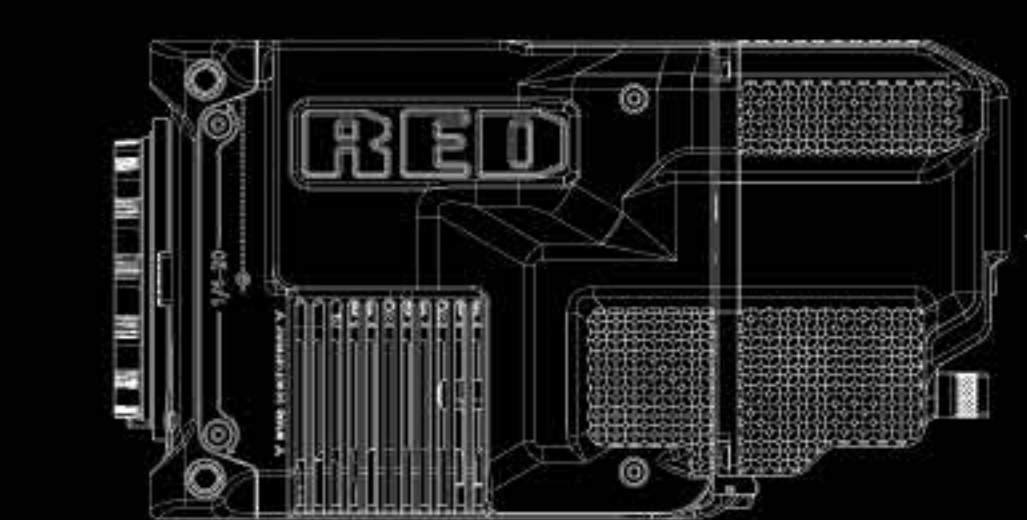
10Gbps R3D
TCP/IP

SINGLE MODE FIBER
10Gbps R3D
TCP/IP



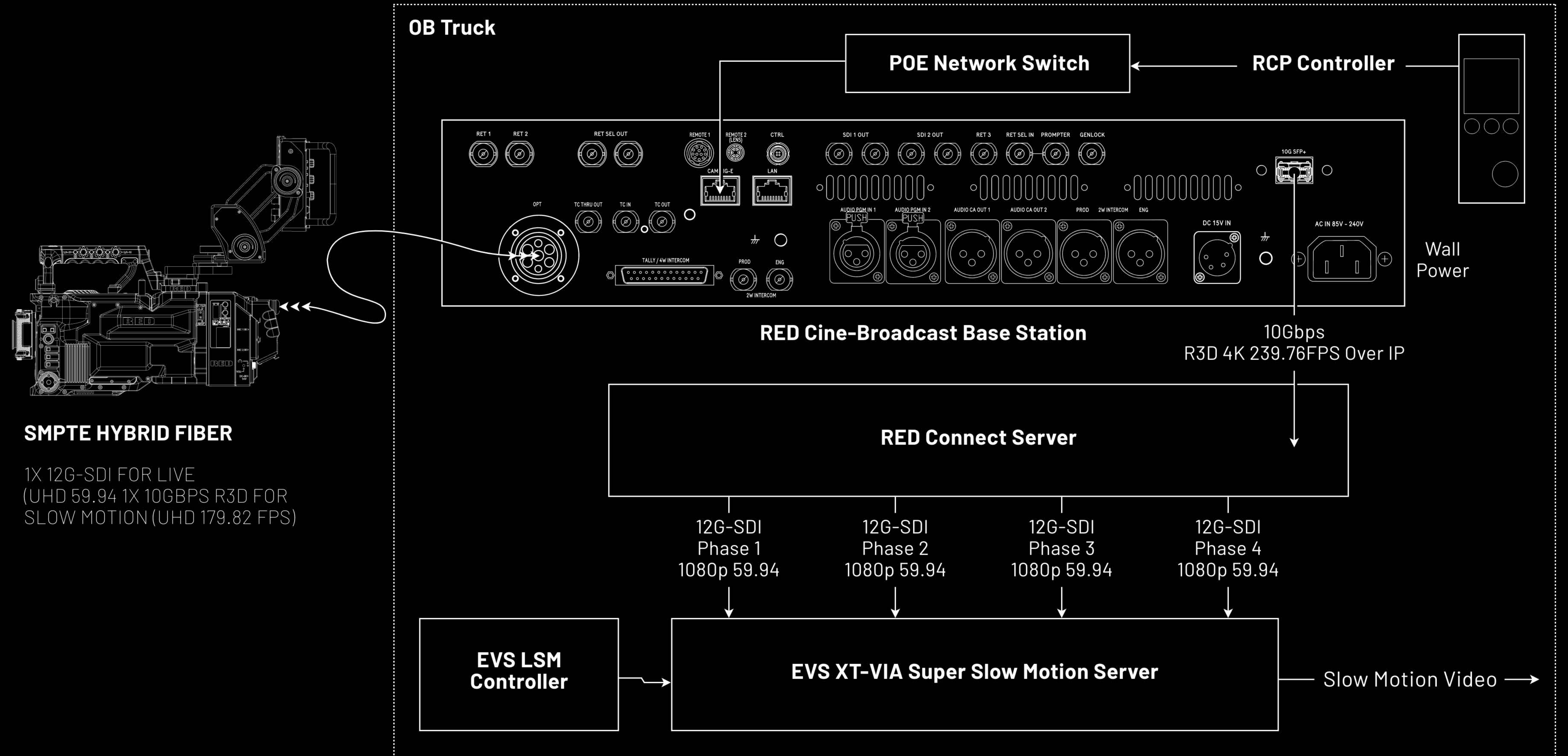
SRT

SRT



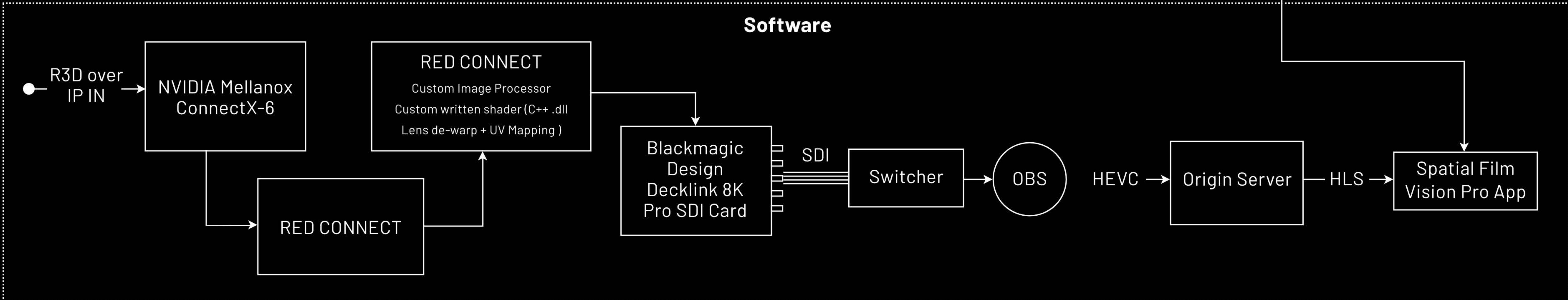
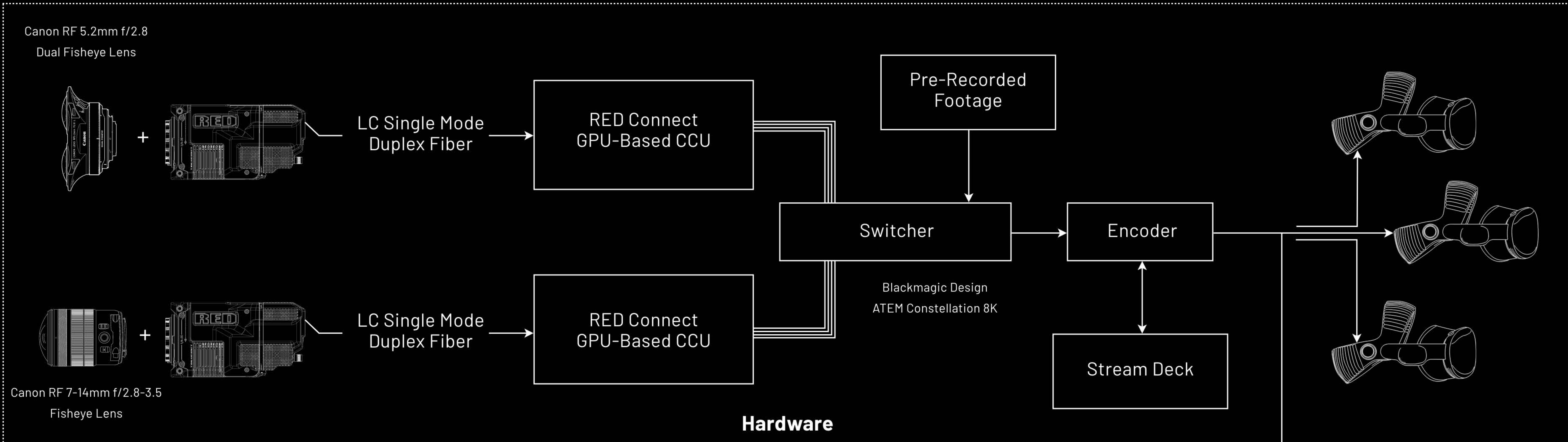
RED DIGITAL CINEMA

EVS SUPER SLOW MOTION SIGNAL FLOW



RED DIGITAL CINEMA

IMMERSIVE SIGNAL FLOW



RED DIGITAL CINEMA

MULTI-CAM / VOLUMETRIC REMOTE RECORD

